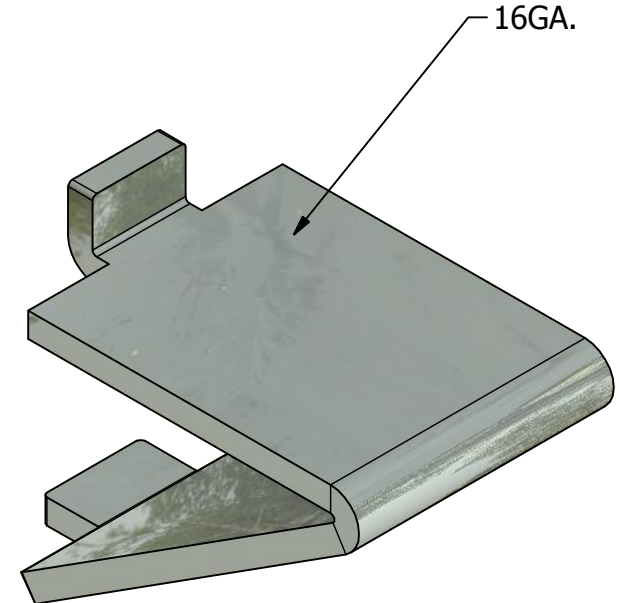
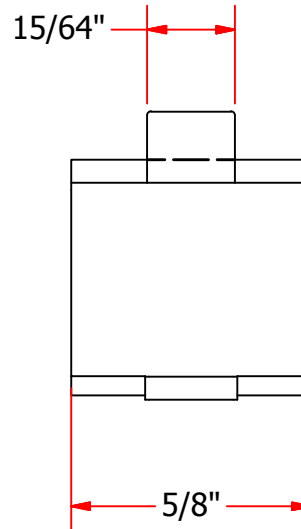
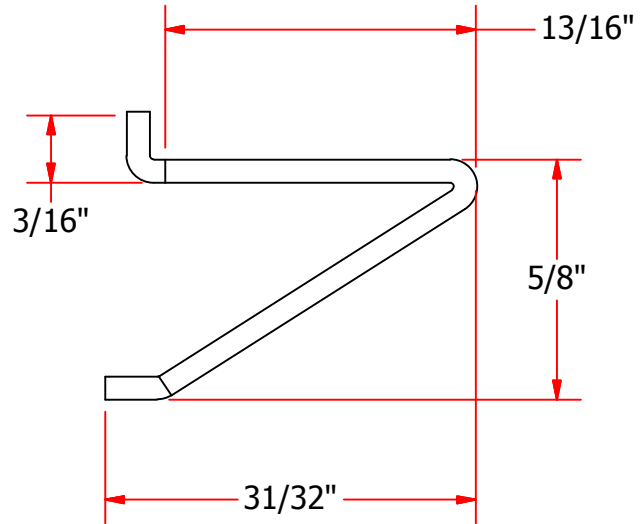


2



1



B

B



A

A

DRAWN Henry Bian	14/12/2011	KINLAI STORE FIXTURES LTD. 60 Carrier Drive, Etobicoke, ON M9W 5R1 TEL: 416-798-2888 FAX: 416-798-3888		
CHECKED				
QA		DESCRIPTION Light Duty Shelf Support		
MFG				
APPROVED				
		FINISH Zinc	DWG NO 1424	REV 0
		QTY	SCALE	SHEET 1 OF 1

2



1