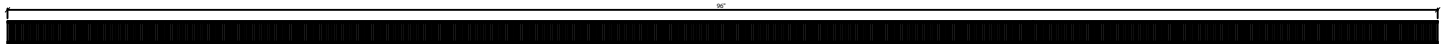


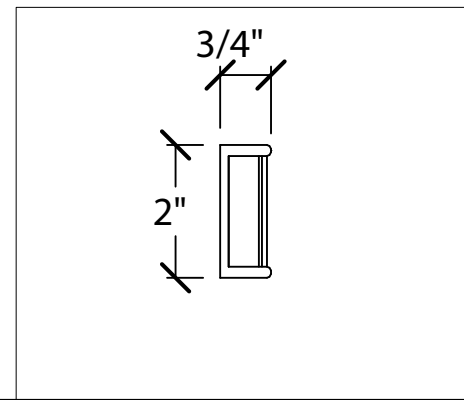
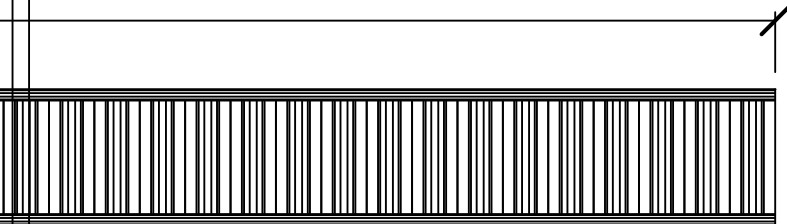
© Art For Everyday Inc.



96"

CLOSE
VIEW

3/4"
SIDE
VIEW



PRODUCT CODE:

MLD-F2