

INSTALLATION INSTRUCTIONS FOR WOOD ISLANDS AND COUNTERTOPS

Instructions for the optimal installation of wood islands and countertops:

1. Never glue the countertop or island to its support (Image 1).
2. Make sure the support on which the countertop or island will be installed is level across its entire surface.
3. Ensure there is no heat source under the countertop or island (Image 2).
4. Use only screws and washers to secure the countertop to the support.
5. Do not force the countertop or island to fit between two fixed elements (Image 3).
6. Make the holes in the support slightly larger than the screws (Image 4).
7. If the countertop or island is modified on-site, the modified sections must be refinished with the same finishing product.

Image 1

Never use glue.

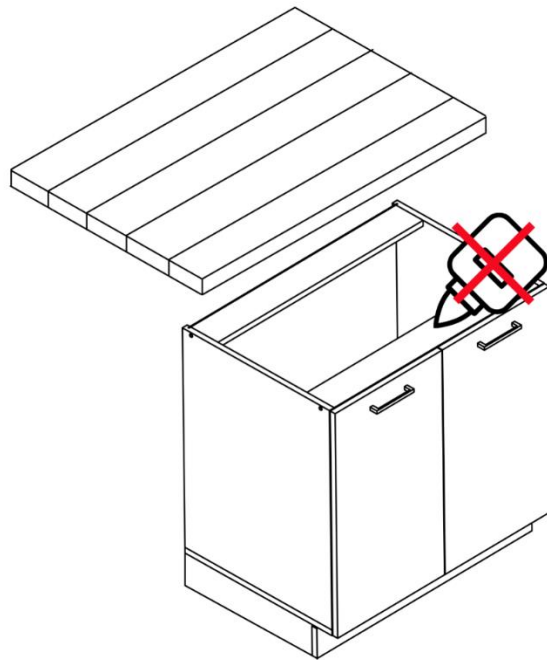


Image 2

No heat source under a wooden countertop.

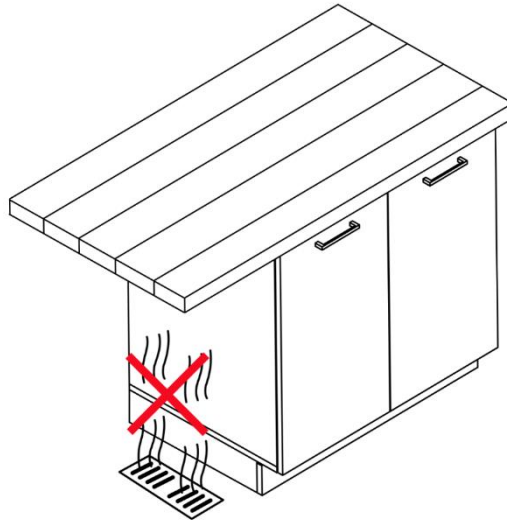


Image 3

Fixed countertop with integrated wood countertop. Leave space for wood countertop to expand.

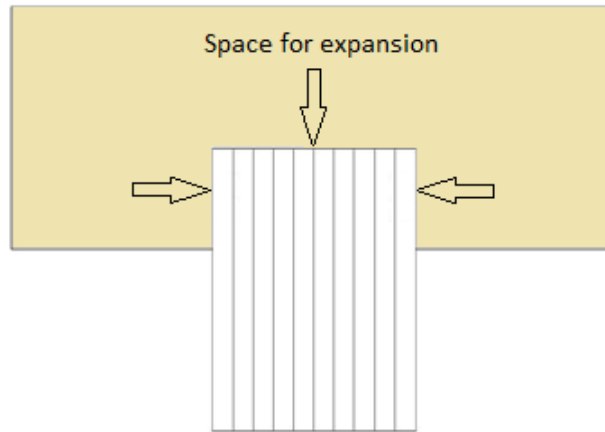


Image 4

Secure countertop with pre-drilling, screw and washer.

