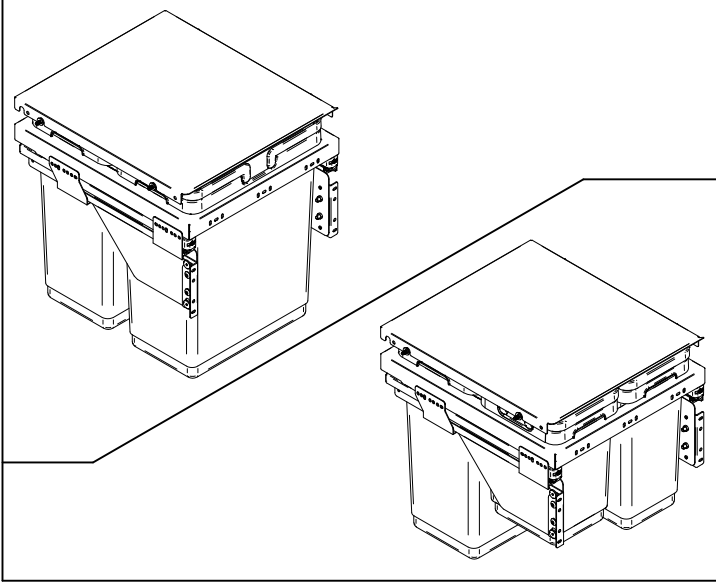



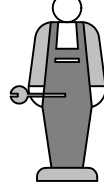
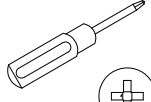

Istruzioni di montaggio
Assembling instructions
Notice de montage
Montageanleitung
Manual de montaje

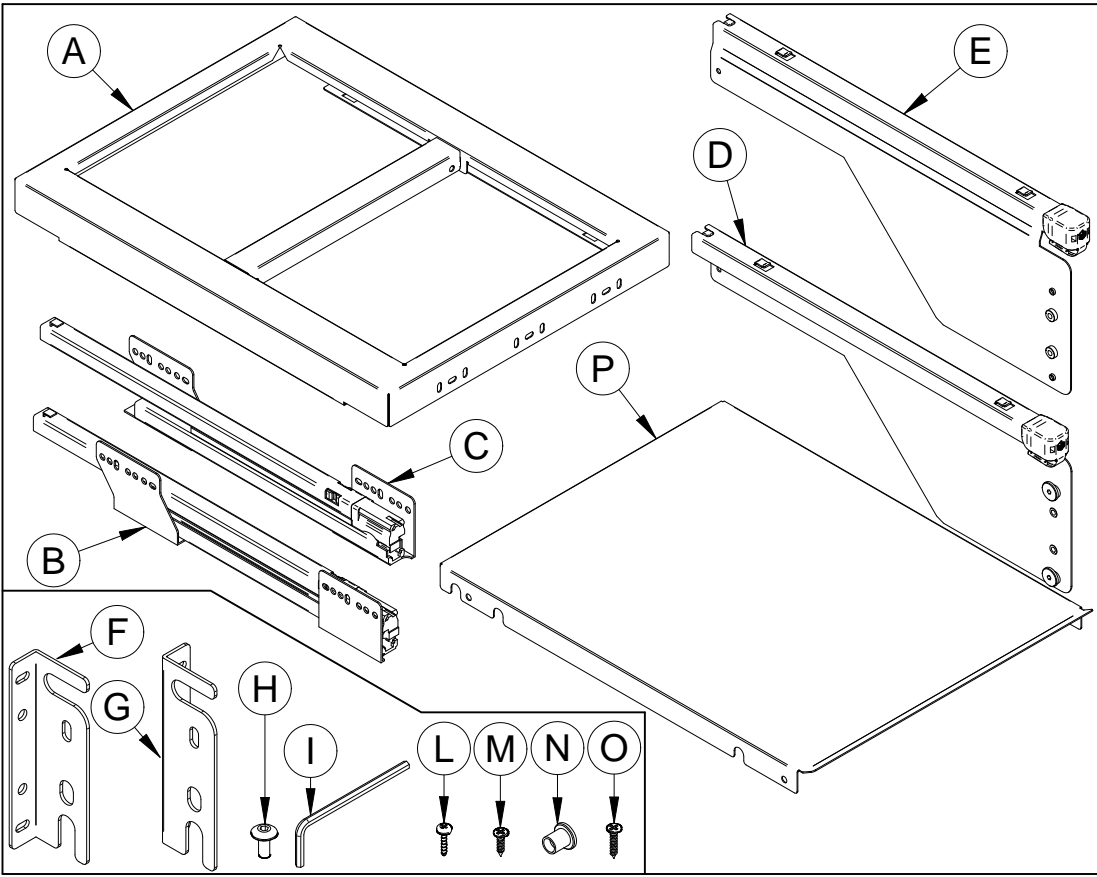
Portata massima:
 Maximum load:
 Charge maxi:
 Maximale belastbarkeit:
 Carga maxima:

40 Kg



POU-V45-2-G
POU-V45-3-G

 30 min.	 1		
----------------------------------------------------------------------------------------------	------------------------------------------------------------------------------------------	-------------------------------------------------------------------------------------	-------------------------------------------------------------------------------------



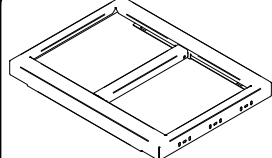
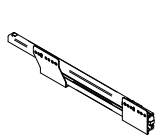
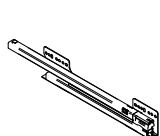
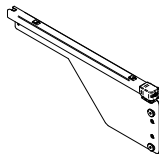
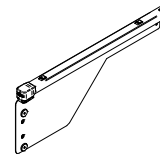
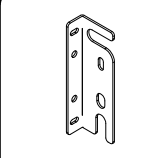
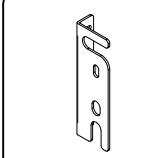
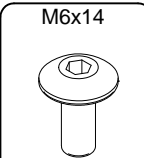
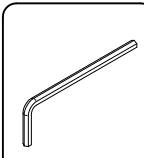
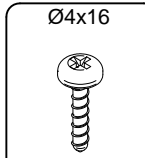
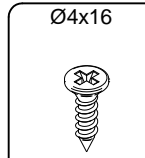
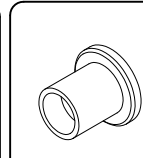
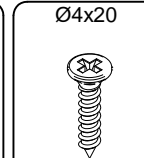
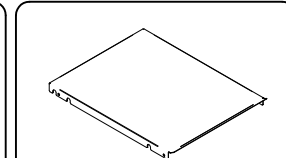
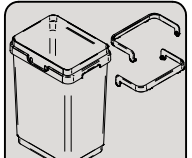
**PRIMA DI COMINCIARE,
 VEDERE I CONSIGLI DI
 MONTAGGIO**

BEFORE STARTING, REFER
 TO THE ASSEMBLING
 ADVICE IN ANNEX

AVANT DE COMMENCER, SE
 REPORTER AUX CONSEILS
 DE MONTAGE EN ANNEXE

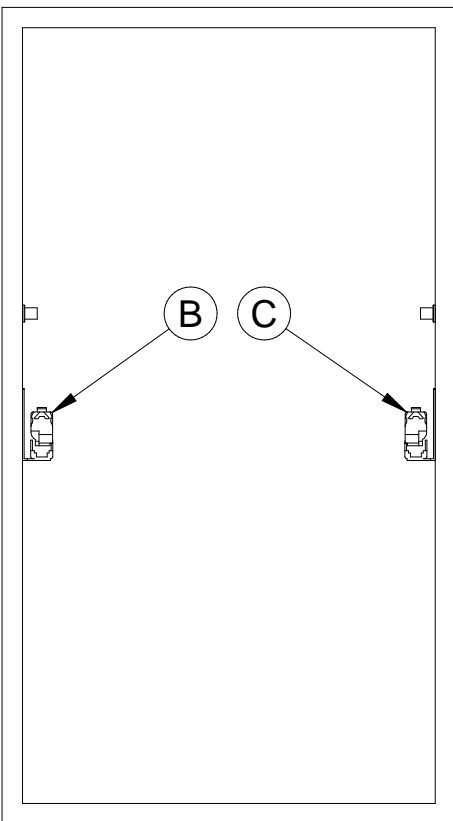
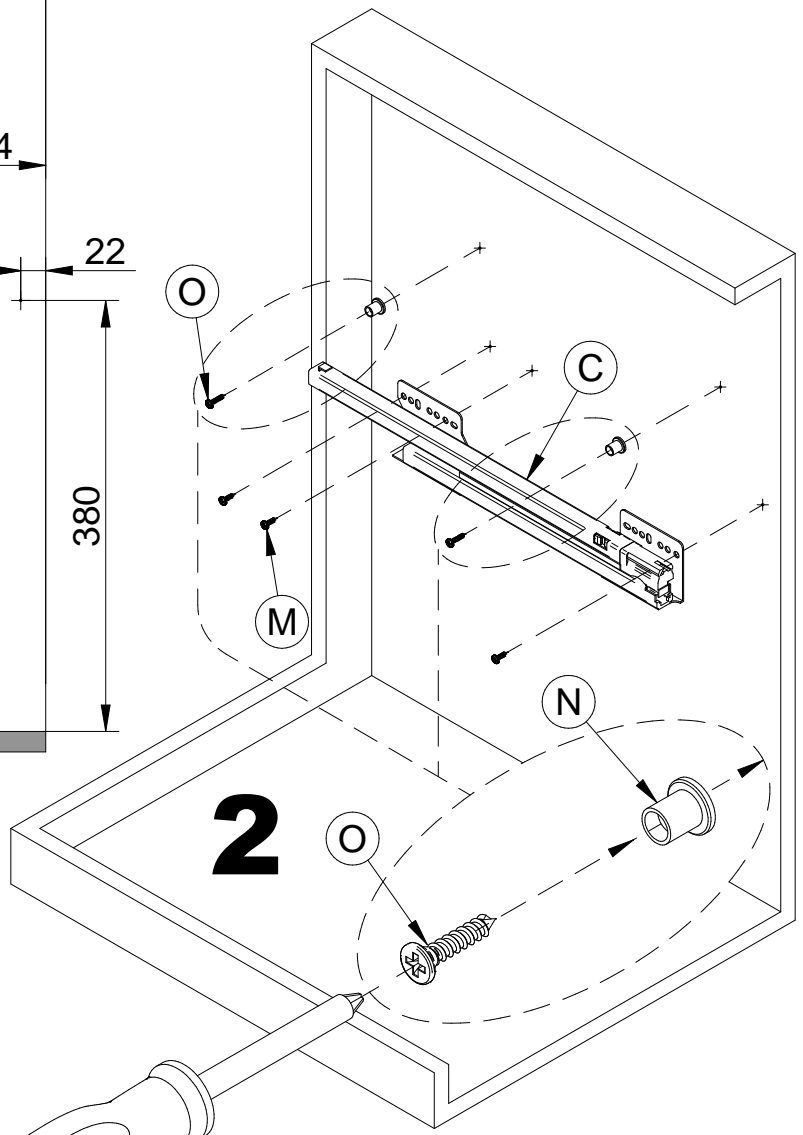
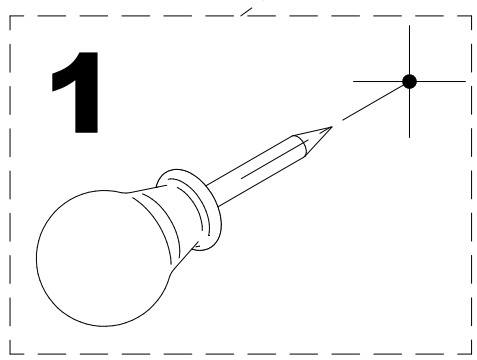
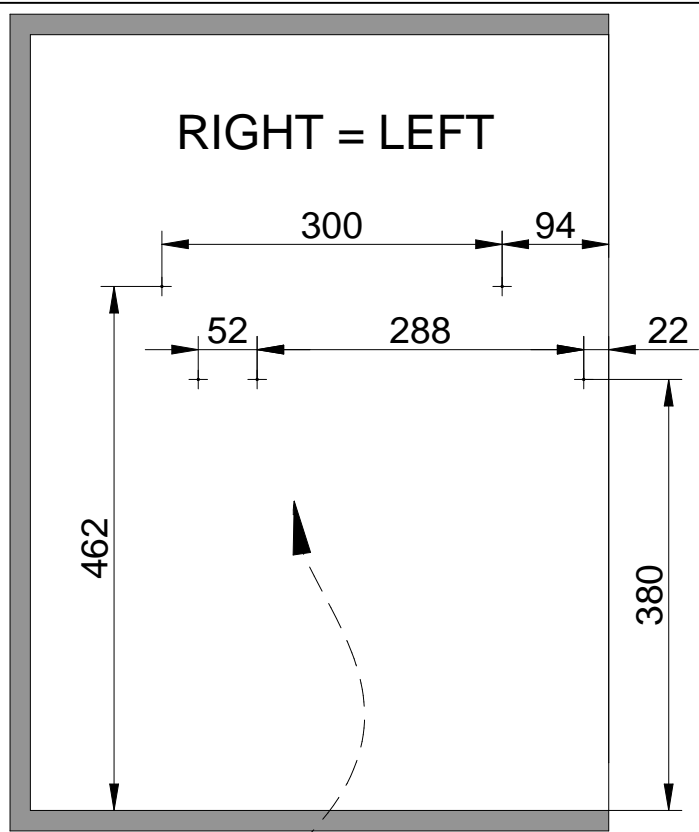
VOR DIE MONTAGE, BITTE
 BEILIEGENDE
 ANWEISUNGEN FOLGEN

ANTES DE EMPEZAR
 CONSULTE LOS CONSEJOS
 PARA EL MONTAJE

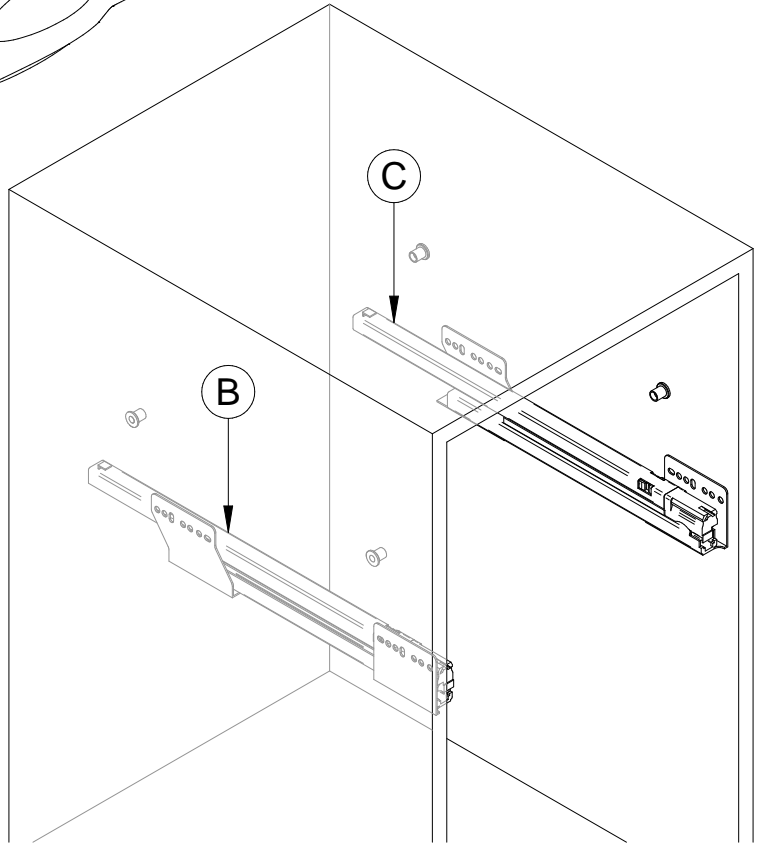
 A x 1	 B x 1	 C x 1	 D x 1	 E x 1	 F x 1	 G x 1	
 H x 4	 I x 1	 L x 6	 M x 6	 N x 4	 O x 4	 P x 1	 Q x ...

I

RIGHT = LEFT

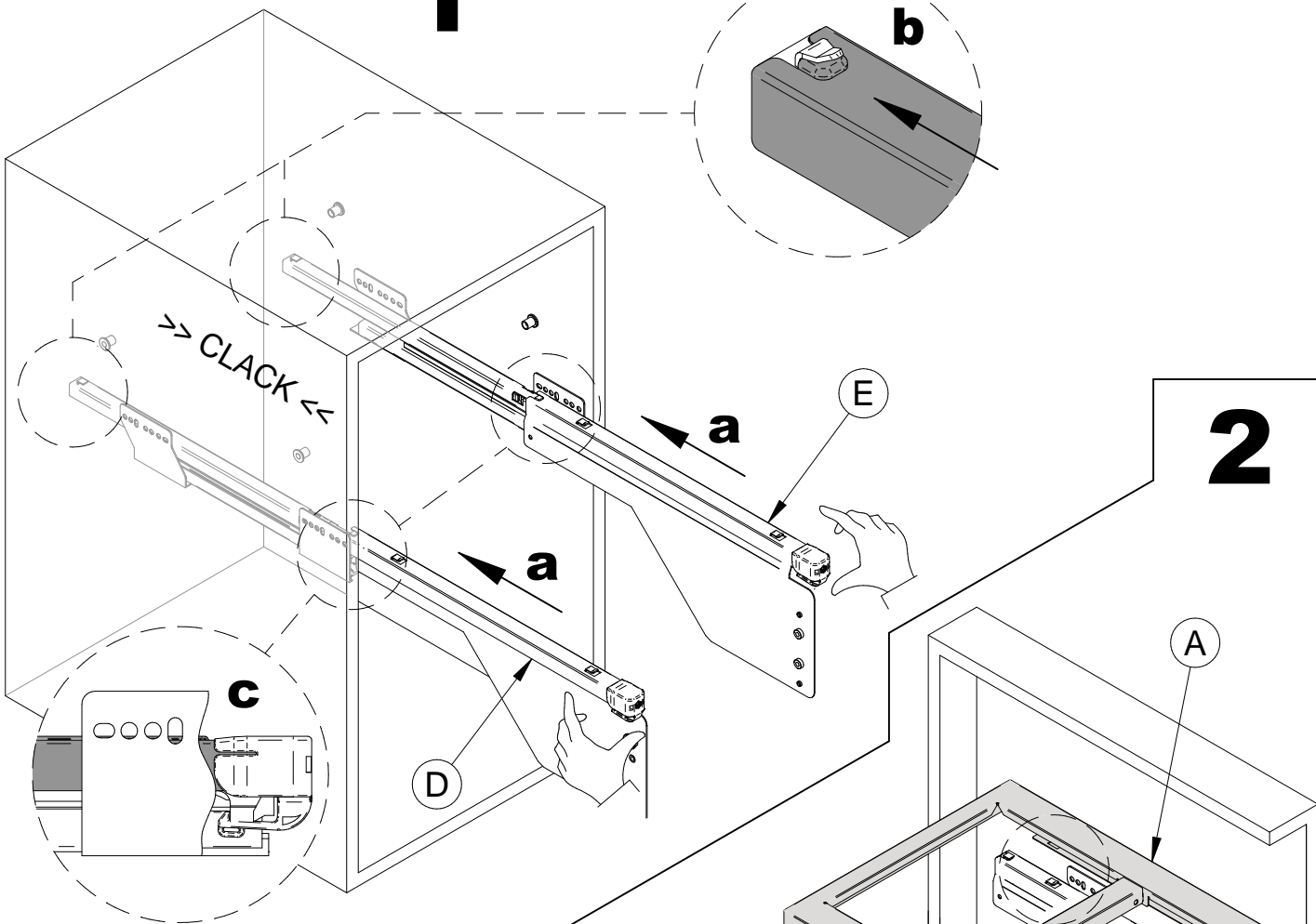


3



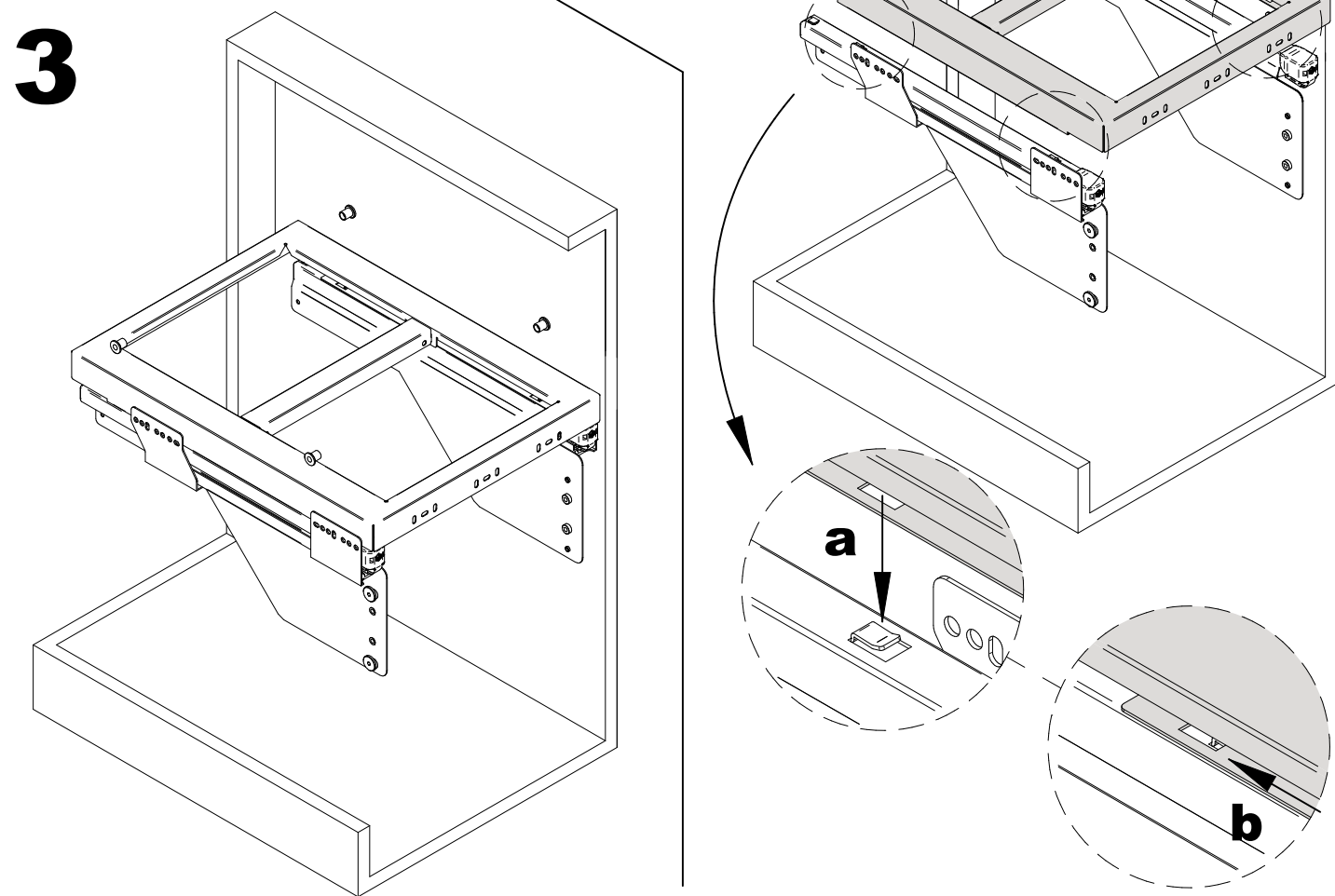
II

1



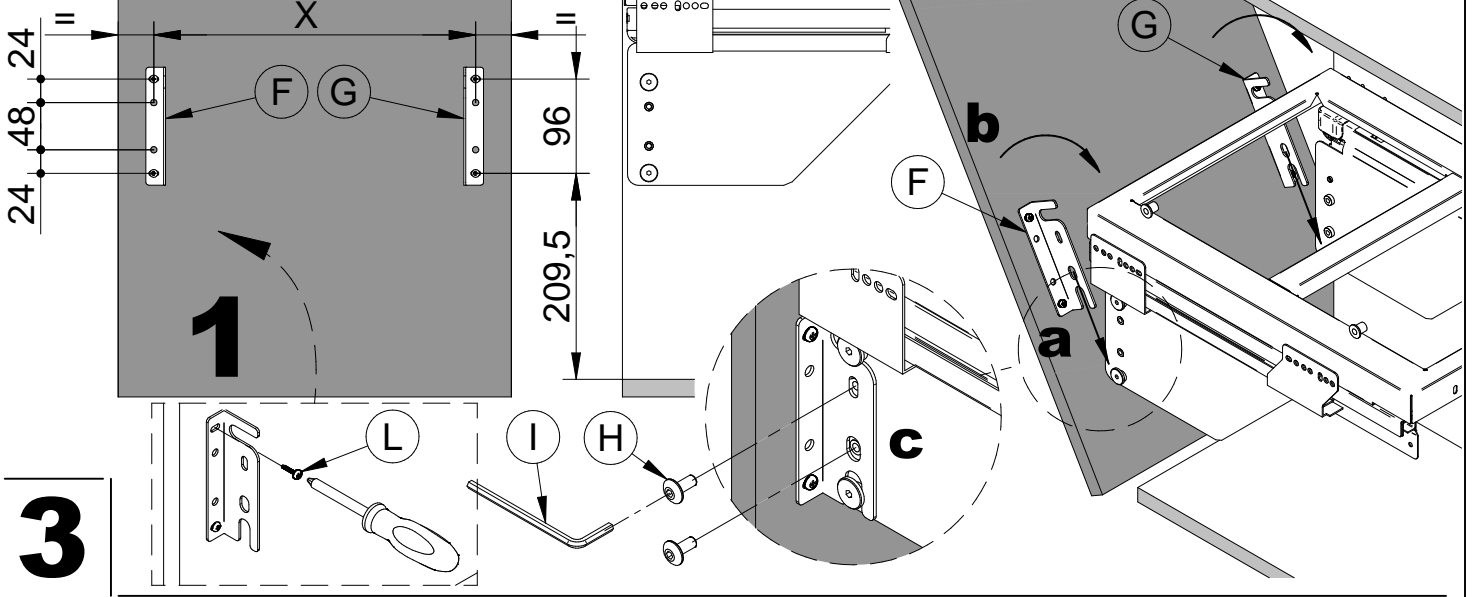
2

3

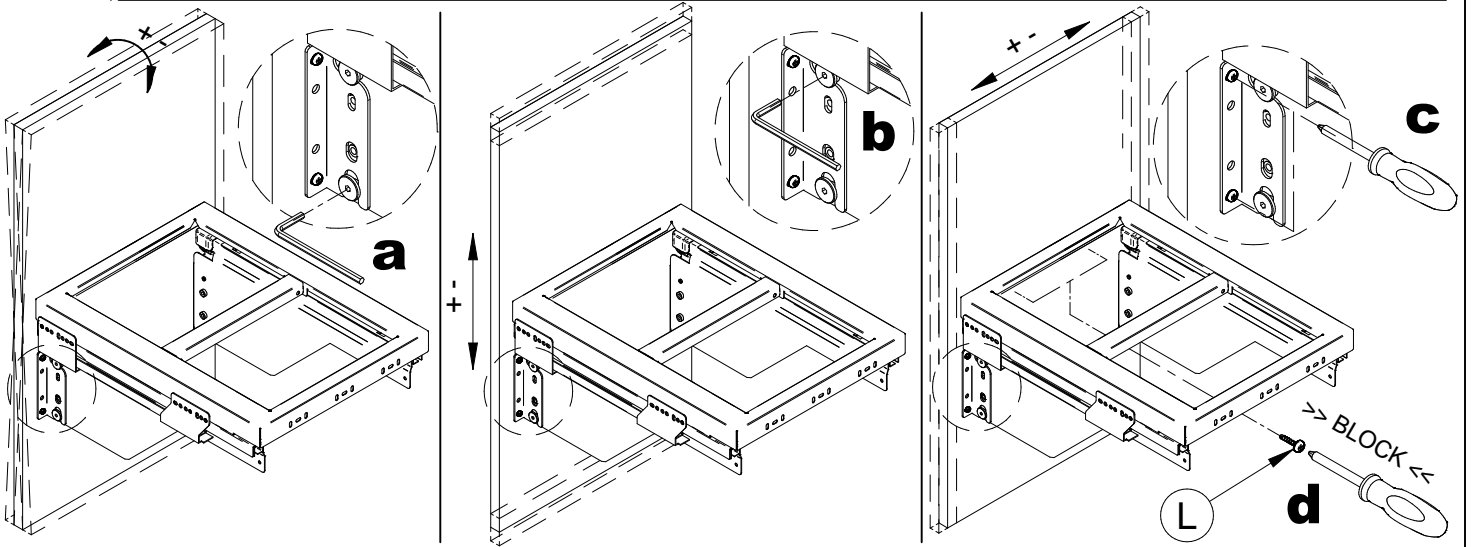


III

Mod.	X
P...M30...	227,5
P...M40...	327,5
P...M45...	377,5
P...M50...	427,5
P...M60...	527,5



3



IV

